

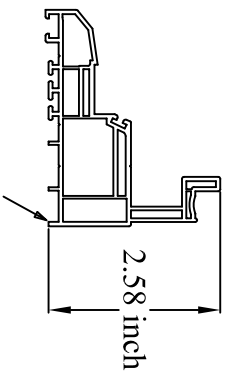
**CUSTOMER NAME:** Value Windows and Doors

**Design no.:**

**Sectional Drawing**

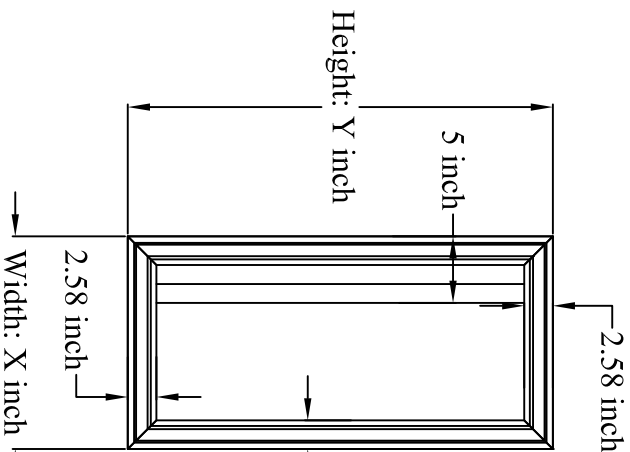
**Casement Egress Area Calculation**

**DIE NO.:**



Note the starting point of width and height measurement is here.

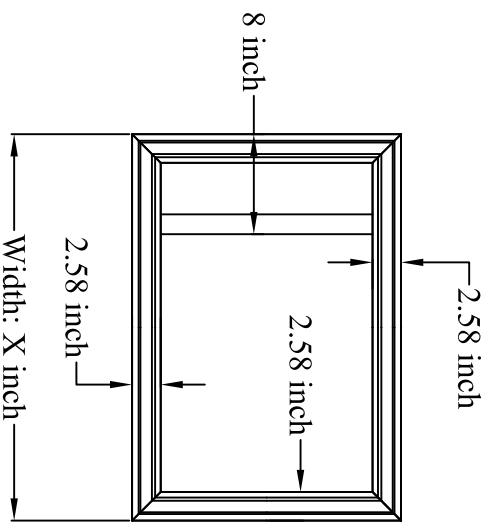
**Casement Window Egress Area Calculation**  
Please notice there are two type of windows: 5" opening and 8" opening  
Make sure the type of window before calculation



Refer to the 5 inch open figure on left:  
The effective width:  
 $X - 5 - 2.58 = X - 7.58$   
The effective height:  
 $Y - 2.58 - 2.58 = Y - 5.16$   
Then the egress area is:  
 $\frac{(X - 7.58) \times (Y - 5.16)}{144}$   
2.58 inch

For Example:  
Width 48", height 48"  
Then the effective width:  
 $48 - 7.58 = 40.42$  inch  
Effective Height:  
 $48 - 5.16 = 42.84$  inch  
Egress Area:  
 $\frac{40.42 \times 42.84}{144} = 12.025 \text{ ft}^2$


This is 5 inch opening casement window



Refer to the 8 inch open figure on left:  
The effective width:  
 $X - 8 - 2.58 = X - 10.58$   
The effective height:  
 $Y - 2.58 - 2.58 = Y - 5.16$   
Then the egress area is:  
 $\frac{(X - 10.58) \times (Y - 5.16)}{144}$   
Height: Y inch

For Example:  
Width 48", height 48"  
The effective width:  
 $48 - 10.58 = 37.42$  inch  
Effective Height:  
 $48 - 5.16 = 42.84$  inch  
Egress Area:  
 $\frac{37.42 \times 42.84}{144} = 11.13245 \text{ ft}^2$

8英寸开口 Casement

<b>Standard</b>		Sectional Area	<b>Unspec</b>	<b>Designed</b>	James Ye	Checked	<b>File No.:</b>	
<b>Material</b>	Vinyl	Theor. Weight	TK-Tolerance	<b>Drawn</b>	James Ye	Approved	 Value Windows and Doors Tel: 626-962-7568 Fax: 626-962-0321	
<b>Packed Total</b>		Perimeter	Unspec Corners	<b>Scale</b>	1:1	<b>Date</b>		